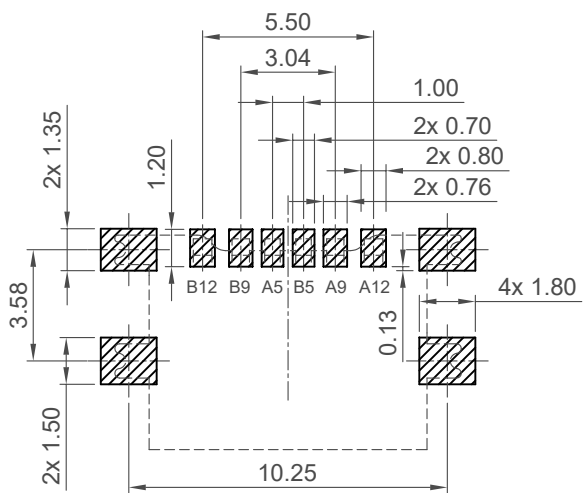
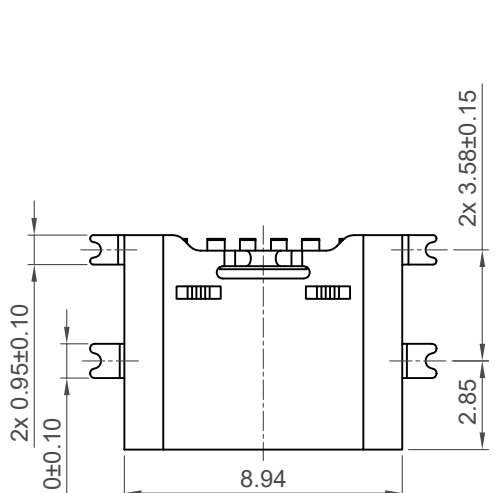


H
G
F
E
D
C
B
A

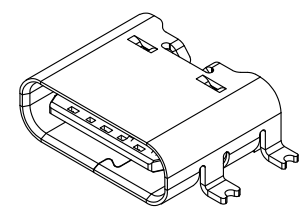


Recommended PCB Layout

Tolerance: ±0.05mm

■ Solder Area □ Component Outline

Pin	Signal	Mating Sequence
A5	CC1	Second
A9	Vbus	First
A12	GND	First
B5	CC2	Second
B9	Vbus	First
B12	GND	First
SHELL	GND	



Specifications

Material
 Insulator: LCP, UL 94V-0, Black
 Contact: Copper Alloy
 Shell: Stainless Steel
 Middle Plate: Stainless Steel

Plating

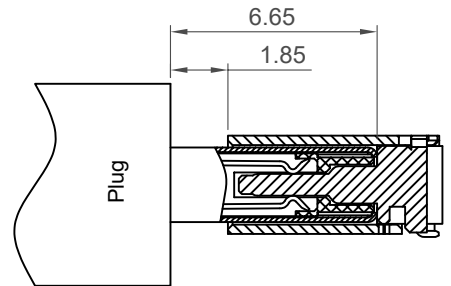
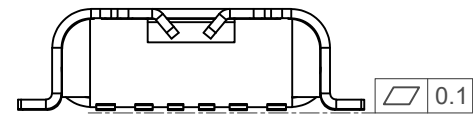
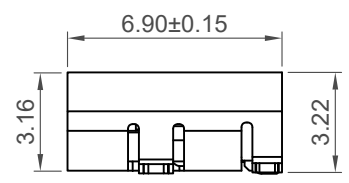
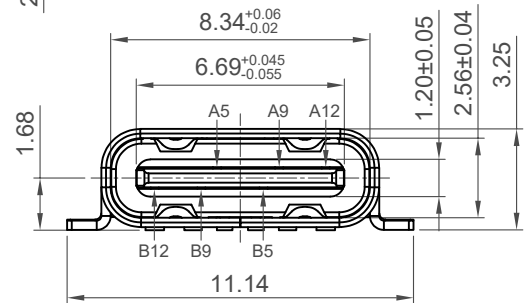
Contact: Gold Flash All Over
 Shell: 50µ" min. Nickel
 Middle Plate: Clear

Electrical

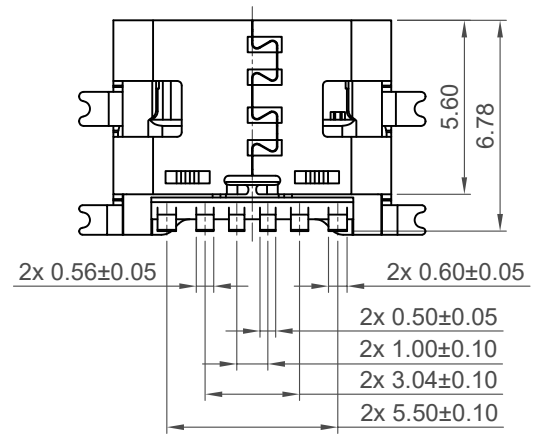
Current Rating: 3.00A collectively for VBUS pins
 4.25A collectively for GND pins
 1.25A for A5/B5 pin
 Voltage Rating: 48V DC
 Contact Resistance: 40mΩ max initial.
 50mΩ max after test
 Dielectric Withstanding Voltage: 100V AC
 Insulation Resistance 100MΩ min

Mechanical & Environmental

Operating Temperature: -30°C to +85°C
 Mating Force: 5 to 20 N.
 Unmated Force: 6 to 20 N after test
 Durability: 20,000 cycles



Plug and Receptacle Mating View



Ordering Grid

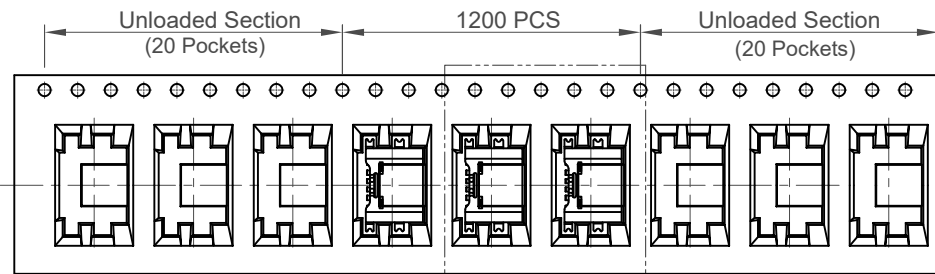
USB4135 - GF - A Request Samples and Quotation

Contact Plating
 GF = Gold Flash

Packing Options
 A = Tape & Reel
 (1200 per reel)

Part Number		Product Description			www.gct.co
USB4135		Type C Receptacle, Horizontal, SMT, For Power Charging Only			
Drawing Date		21st January 2022			
By	KY	Tolerances (Except as Noted)	Units:		
Detail	Drawing Release	Length X.X ± 0.30	Metric (mm)		
Revision	A2	Angle X.XX ± 0.25			
Date	13/09/24	X.XXX ± 0.10			
Not to Scale		Drawn By	CC	Sheet No. 1/2	

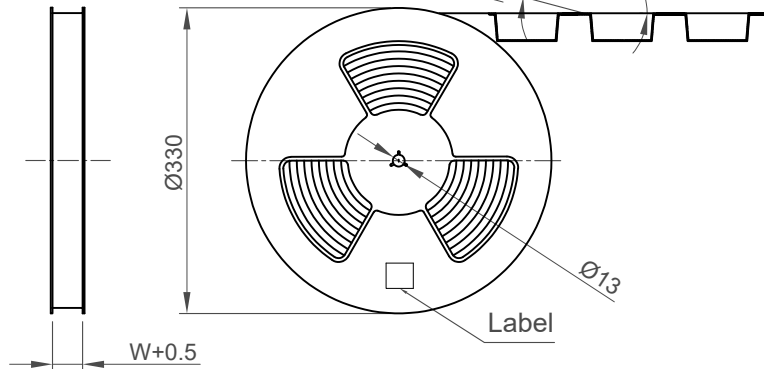
1 2 3 4 5 6 7 8



Direction of Unreeling

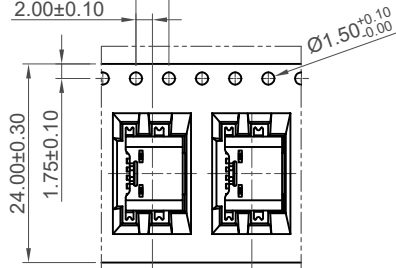
Detail E

Peeling Angle 165°~180°

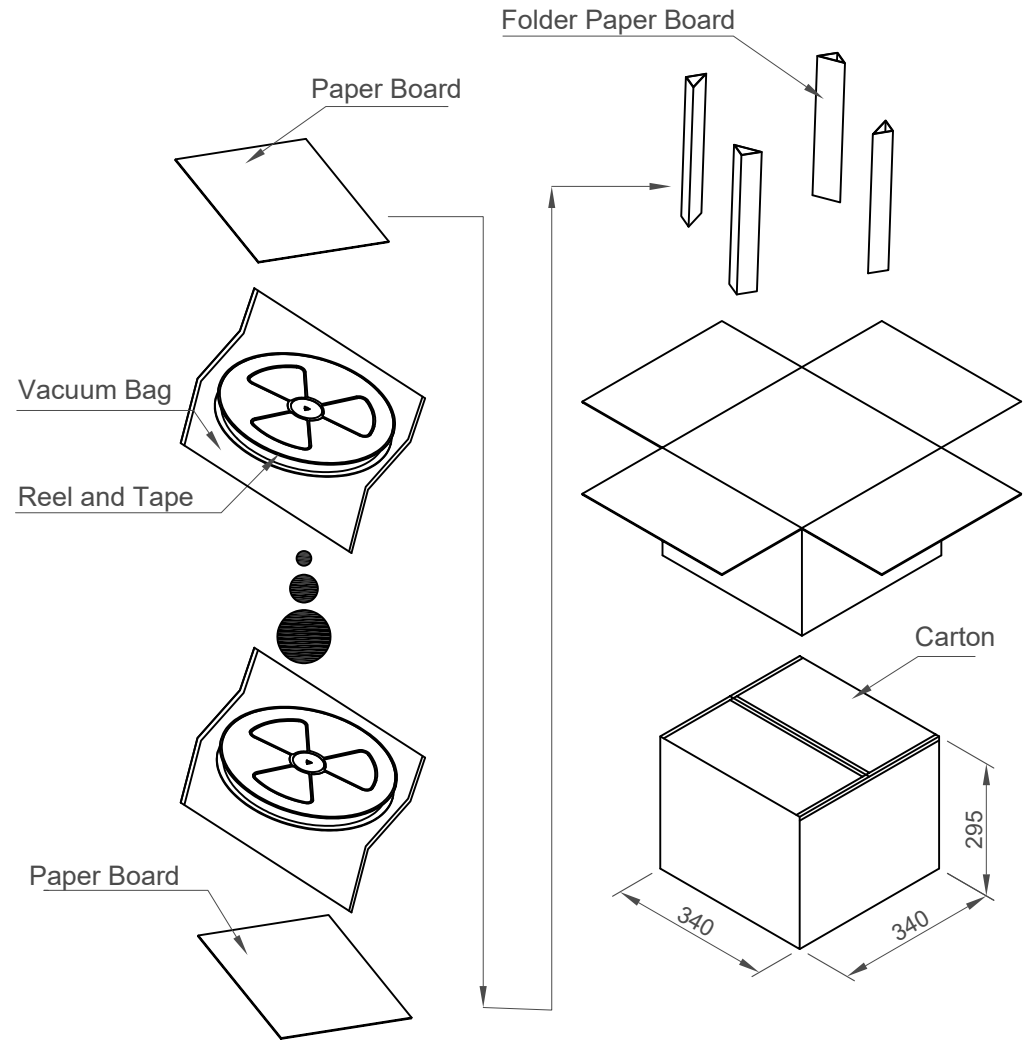


Direction of Unreeling

4.00±0.10
2.00±0.10



Detail: E



Pcs / Reel	Reels / Carton	Total Quantity
1200	9	10800 pcs

Part Number		Product Description	
USB4135		Type C Receptacle, Horizontal, SMT, For Power Charging Only	
Drawing Date		21st January 2022	
By	KY	Tolerances (Except as Noted)	Units:
Detail	Drawing Release	Length	Metric (mm)
Revision	A2	Angle	
Date	13/09/24	X.X ± 0.30	
		X.XX ± 0.25	
		X.XXX ± 0.10	



This drawing is confidential and copyright of Global Connector Technology, Ltd (GCT). This drawing must not be copied or disclosed without written consent. E & OE



Not to Scale
Drawn By CC
Sheet No. 2/2